



BSL Range


Cubic
cooling units



Power range
1,5-17,2 kW

 Aluminum bodywork

 Small-size cubic cooling units with a highly compact design

 Ideal for medium-sized cellars

 Three fin separations that allow for a broad power range

Technical Specifications

Coil: Manufactured in 1/2" staggered tube, and aluminum fins with 4mm, or 6mm and 9mm separation.

Bodywork: Manufactured entirely with white pre-lacquered aluminum, protected with plastic film. Drain riveted at an angle to the pan, preventing leaks and breaks, and saving space in the cellar. Drip pan between coil and Bodywork: Rounded edges for easy cleaning. Opening of side register vents with wing nuts, all mounting hardware in stainless steel. Spacing between fans; each fan works on its corresponding coil section, thus avoiding the air bypass effect.

Defrost: With stainless steel-armored electric resistors and watertight housing, connected to standard IP54 junction box.

Options

- Coil treated with Blygold
- Expansion valve
- Three phase motors
- Electronics EC motors



Technical data

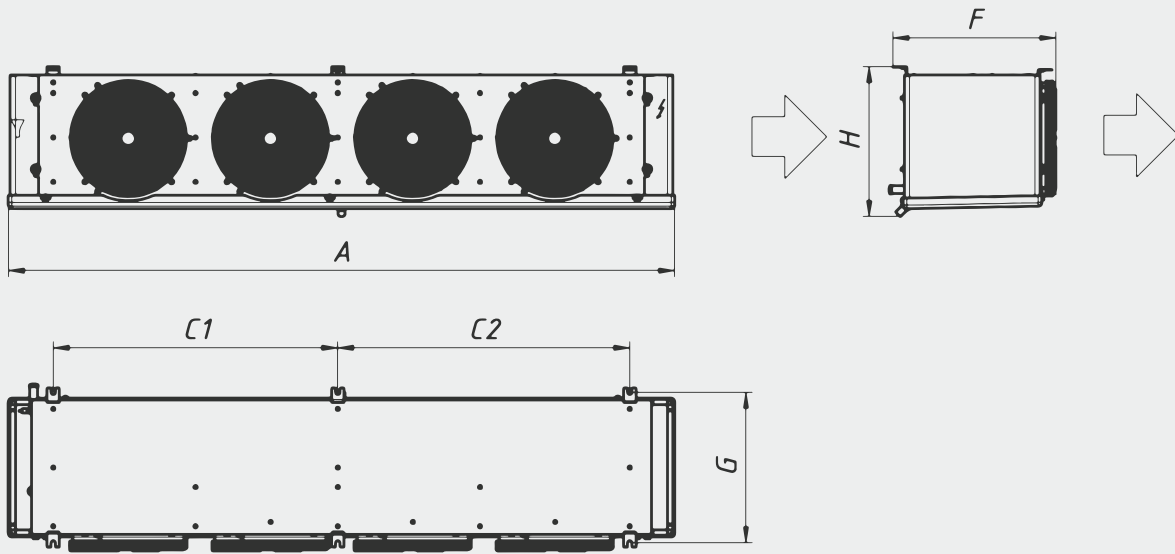
Fin spacing = 4 mm	Model	Capacity Standard Conditions EN328 R404A			Area (m ²)	Volume (dm ³)	Fans					Weight (kg)
		SC1 (kW)	SC2 (kW)	Air throw (m)			Air Flow (m ³ /h)	Nº x Ø	A	W		
BSL15A	2,24	1,53	7,6	1,0	9	1.250	1 x 300	0,6	90	11		
BSL19A	2,86	1,96	10,2	1,4	9	1.100	1 x 300	0,6	90	12		
BSL24A	3,54	2,42	12,7	1,7	9	1.000	1 x 300	0,6	90	13		
BSL28A	4,18	2,86	15,3	2,1	9	950	1 x 300	0,6	90	14		
BSL30A	4,47	3,06	15,3	1,8	9	2.500	2 x 300	1,2	180	19		
BSL39A	5,73	3,92	20,4	2,5	9	2.200	2 x 300	1,2	180	21		
BSL48A	7,06	4,83	25,5	3,2	9	2.000	2 x 300	1,2	180	24		
BSL57A	8,35	5,71	30,6	3,7	9	1.900	2 x 300	1,2	180	26		
BSL72A	10,59	7,25	38,3	4,6	9	3.000	3 x 300	1,9	270	33		
BSL78A	11,46	7,84	40,9	5,0	9	4.400	4 x 300	2,5	360	40		
BSL86A	12,53	8,57	45,9	5,4	9	2.850	3 x 300	1,9	270	36		
BSL96A	14,11	9,66	51,3	6,7	9	4.000	4 x 300	2,5	360	44		
BSL114A	16,69	11,43	61,6	8,0	9	3.800	4 x 300	2,5	360	49		
BSL121A	17,62	12,06	64,1	8,3	9	5.000	5 x 300	3,1	450	56		
BSL142A	20,87	14,29	77,0	9,9	9	4.750	5 x 300	3,1	450	60		
BSL171A	25,05	17,15	91,8	10,3	9	5.700	6 x 300	3,7	540	71		

Fin spacing = 6 mm	Model	Capacity Standard Conditions EN328 R404A			Area (m ²)	Volume (dm ³)	Fans					Weight (kg)
		SC1 (kW)	SC2 (kW)	SC3 (kW)			Air throw (m)	Air Flow (m ³ /h)	Nº x Ø	A	W	
BSL12B	1,78	1,22	0,97	4,9	1,0	10	1.350	1 x 300	0,6	90	10	
BSL16B	2,30	1,57	1,26	6,5	1,4	10	1.250	1 x 300	0,6	90	11	
BSL20B	2,84	1,94	1,55	8,2	1,7	10	1.100	1 x 300	0,6	90	12	
BSL23B	3,35	2,29	1,83	9,8	2,1	10	1.050	1 x 300	0,6	90	13	
BSL25B	3,55	2,43	1,95	9,8	1,8	10	2.700	2 x 300	1,2	180	18	
BSL31B	4,60	3,15	2,52	13,1	2,5	10	2.500	2 x 300	1,2	180	20	
BSL38B	5,66	3,87	3,10	16,4	3,2	10	2.200	2 x 300	1,2	180	21	
BSL46B	6,69	4,58	3,67	19,6	3,7	10	2.100	2 x 300	1,2	180	23	
BSL58B	8,49	5,81	4,65	24,5	4,6	10	3.300	3 x 300	1,9	270	30	
BSL68B	10,05	6,88	5,51	29,4	5,4	10	3.150	3 x 300	1,9	270	32	
BSL63B	9,19	6,29	5,04	26,2	5,0	10	3.750	4 x 300	2,5	360	36	
BSL77B	11,32	7,75	6,20	32,7	6,7	10	4.400	4 x 300	2,5	360	40	
BSL91B	13,40	9,17	7,34	39,2	8,0	10	4.200	4 x 300	2,5	360	43	
BSL98B	14,30	9,79	7,83	40,9	8,3	10	5.500	5 x 300	3,1	450	50	
BSL115B	16,75	11,46	9,17	49,1	9,9	10	5.250	5 x 300	3,1	450	53	
BSL137B	20,09	13,75	11,00	58,9	10,3	10	6.300	6 x 300	3,7	540	63	

Fin spacing = 9 mm	Model	Capacity Standard Conditions EN328 R404A			Area (m ²)	Volume (dm ³)	Fans					Weight (kg)
		SC2 (kW)	SC3 (kW)	SC4 (kW)			Air throw (m)	Air Flow (m ³ /h)	N° x Ø	A	W	
	BSL10C	1,01	0,81	0,67	3,3	1,0	11	1.450	1 x 300	0,6	90	10
	BSL13C	1,31	1,05	0,86	4,4	1,4	11	1.350	1 x 300	0,6	90	11
	BSL16C	1,61	1,29	1,06	5,5	1,7	11	1.250	1 x 300	0,6	90	11
	BSL19C	1,90	1,52	1,26	6,5	2,1	11	1.150	1 x 300	0,6	90	12
	BSL26C	2,61	2,09	1,73	8,7	2,5	11	2.700	2 x 300	1,2	180	19
	BSL33C	3,23	2,58	2,13	10,9	3,2	11	2.500	2 x 300	1,2	180	20
	BSL38C	3,82	3,05	2,52	13,1	3,7	11	2.300	2 x 300	1,2	180	22
	BSL48C	4,84	3,87	3,20	16,4	4,6	11	3.750	3 x 300	1,9	270	28
	BSL57C	5,72	4,58	3,78	19,6	5,4	11	3.450	3 x 300	1,9	270	30
	BSL65C	6,45	5,16	4,26	21,8	6,7	11	5.000	4 x 300	2,5	360	38
	BSL76C	7,63	6,10	5,04	26,2	8,0	11	4.600	4 x 300	2,5	360	41
	BSL95C	9,54	7,63	6,31	32,7	9,9	11	5.750	5 x 300	3,1	450	50
	BSL114C	11,45	9,16	7,56	39,2	10,3	11	6.900	6 x 300	3,7	540	59

Codification Description

BSL	142	A	E
↑	↑	↑	↑
Range	Model	Fin spacing A = 4 mm B = 6 mm C = 9 mm	Defrost E = Electric Ø = Without Defrost



BSL / Common Data	Model			Defrost (W)	Connection		Drain pipe (Inches)	Dimensions					
					IN	OUT		C1 (mm)	C2 (mm)	G (mm)	F (mm)	H (mm)	A (mm)
	BSL15A	BSL12B	BSL10C	1.050	12 mm	12 mm	3/4"	422	-	423	451	422	675
BSL19A	BSL16B	BSL13C	1.050	12 mm	12 mm	3/4"	422	-	423	451	422	675	
BSL24A	BSL20B	BSL16C	1.050	12 mm	12 mm	3/4"	422	-	423	451	422	675	
BSL28A	BSL23B	BSL19C	1.050	12 mm	12 mm	3/4"	422	-	423	451	422	675	
BSL30A	BSL25B		2.250	1/2"	5/8"	3/4"	822	-	423	451	422	1.075	
BSL39A	BSL31B	BSL26C	2.250	1/2"	5/8"	3/4"	822	-	423	451	422	1.075	
BSL48A	BSL38B	BSL33C	3.000	1/2"	7/8"	3/4"	822	-	423	451	422	1.075	
BSL57A	BSL46B	BSL38C	3.000	1/2"	7/8"	3/4"	822	-	423	451	422	1.075	
BSL72A	BSL58B	BSL48C	4.800	1/2"	7/8"	3/4"	1.222	-	423	451	422	1.475	
BSL78A	BSL63B		4.500	1/2"	7/8"	3/4"	800	822	423	451	422	1.875	
BSL86A	BSL68B	BSL57C	4.800	1/2"	7/8"	3/4"	1.222	-	423	451	422	1.475	
BSL96A	BSL77B	BSL65C	6.000	1/2"	7/8"	3/4"	800	822	423	451	422	1.875	
BSL114A	BSL91B	BSL76C	6.000	1/2"	7/8"	3/4"	800	822	423	451	422	1.875	
BSL121A	BSL98B	BSL95C	8.000	1/2"	7/8"	3/4"	800	1.222	423	451	422	2.275	
BSL142A	BSL115B		8.000	1/2"	7/8"	3/4"	800	1.222	423	451	422	2.275	
BSL171A	BSL137B	BSL114C	9.200	1/2"	7/8"	3/4"	1.200	1.222	423	451	422	2.675	

I-CO-23.2-BSL